

LX-SL570 Series Specification

Product Picture

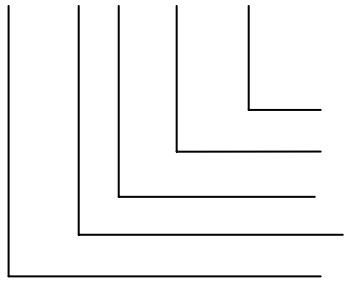


High Power LED Street Light LX-SL570 Series

Main Parameters

Model No.:

LX- SL-570-XXX-XXX



Input Voltage(input AC or DC)

COB LED chip

Length NO. (for example: 570mm)

Light model:LED Street Light

Company Brand LUX

Features:

1. Product Name: LED Street Light 570 Series 30-70W.
2. Adopt Super Brightness Multi-Chip LED Lighting Source, encapsulation by ourselves, Long lifespan, Energy saving, Environment friendly, High efficiency, No strobe, No ghosting, No UV, IR.
3. LUX series LED Street Light integrate LED lighting source and the cover of the light, the advantages are no needing extra cover, the volume is small and the weight of the body is light. Which make the led light perfect.
4. The Lighting source of the led high bay is using super bright big size LED chip, It' s single led chip with top quality which lumen is up to 120lm/W, Using high efficiency PC lens and sand blast oxidation light cover which can solve the problems such as light loss and color shading. It can assure the uniformity of flux and color.
5. Using high efficiency thermal conductivity silicon, it's assured the heat sink of the light, the temperature of the junction is not pass 65 °C , which is effective controlled the light degradation, the lifespan for the led light is over 30000 hours.
6. The range for the input voltage is wide. Which make the led high bay are available for the global. Unique protection circuit and exact constant current system assure the abilities such as anti-interference and stability of the light.
7. Our LED Driver are approved CE CB EMC GS TUV UL , can be available for every where.
8. Available for solar DC10V-28V to realize the secondary energy saving system.

Application:

LED Street Light is available for Main Road, Sidewalk, Square, School, Park, Garden, Factory, Residential Places, Villa and many other projector lighting places.

High Power LED Street Light LX-SL570 Series

Parameters:

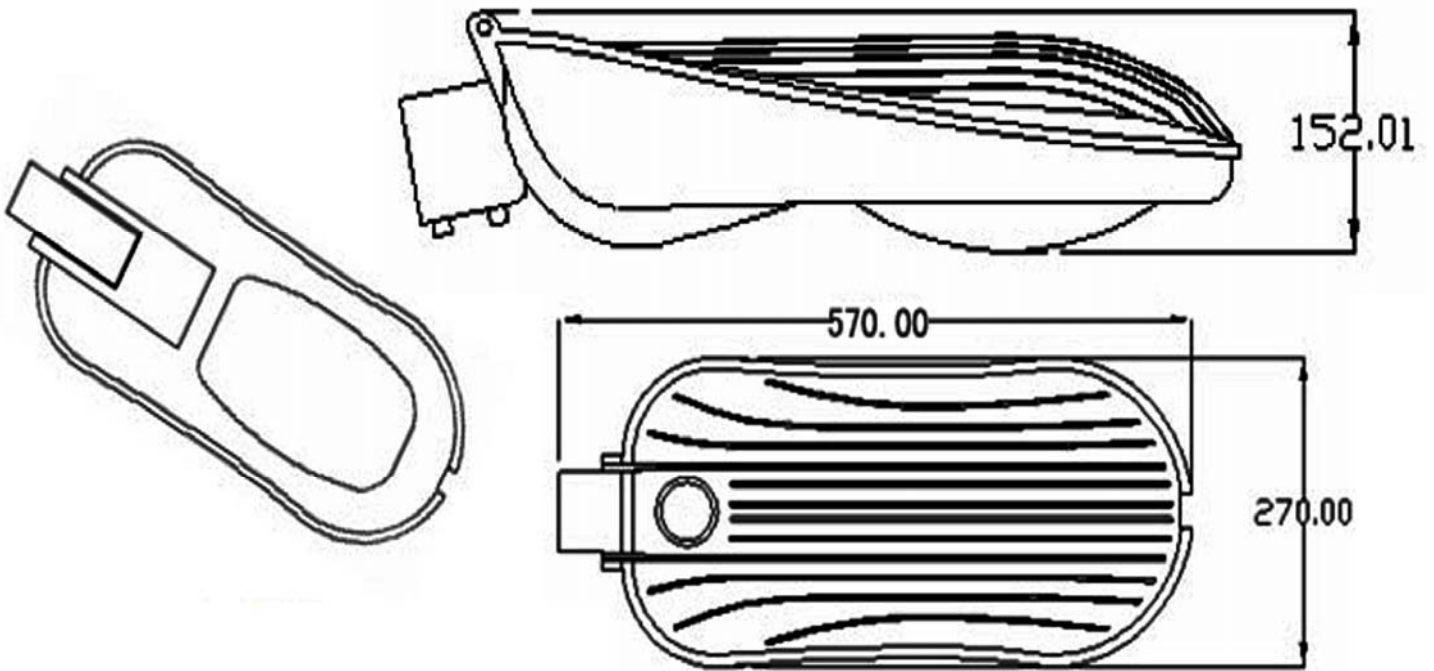
MODEL	LED QTY(multi-chip)	Input Power	Input Voltage	PF	Luminous Flux
LX-SL570-30W	30 pcs	34W±1W	AC85-265V / 277V / DC10-28V	>0.95	2700-3000LM
LX-SL570-40W	40 pcs	45W±1W	AC85-265V / 277V / DC10-28V	>0.95	3600-4000LM
LX-SL570-50W	50 pcs	55W±1W	AC85-265V / 277V / DC10-28V	>0.95	4500-5000LM
LX-SL570-60W	60 pcs	66W±1W	AC85-265V / 277V / DC10-28V	>0.95	5400-6000LM
LX-SL570-70W	70 pcs	77W±1W	AC85-265V / 277V / DC10-28V	>0.96	6300-7000LM

- LED Work Voltage: 30-36V
- Related color temperature(CCT):
Cool White:6000-7000K, Pure White: 4500 – 5500K, Warm White: 3000 – 4000K/2700-2900K
Other available Color: red, yellow, blue, green amber
- Color Rendering Index (CRI): CW/PW: Ra≥80; WW :Ra≥70
- Beam Angle : 130° x 65°
- Distribution of the light: LED+ secondary distribution of the light reflector
- The curve of light distribution: Asymmetric (Bat Wing) / Rectangular Beam
- Working Temperature: -40 °C ~ 50 °C
- Working Humidity: -10 ~ 90%RH
- Storage Temperature: -25 °C ~65 °C
- Material for light : Aluminum
- Case Color Available: Blue, silver, white available
- Lifespan for LED lighting source: > 50,000 hours
- IP Rating: IP65
- Size for pole diameter: ϕ 50 or ϕ 60mm
- Net weight: 5.6Kgs
- Gross Weight: 6.8Kgs
- Package Size(mm): 645*315*240 /1 PCS

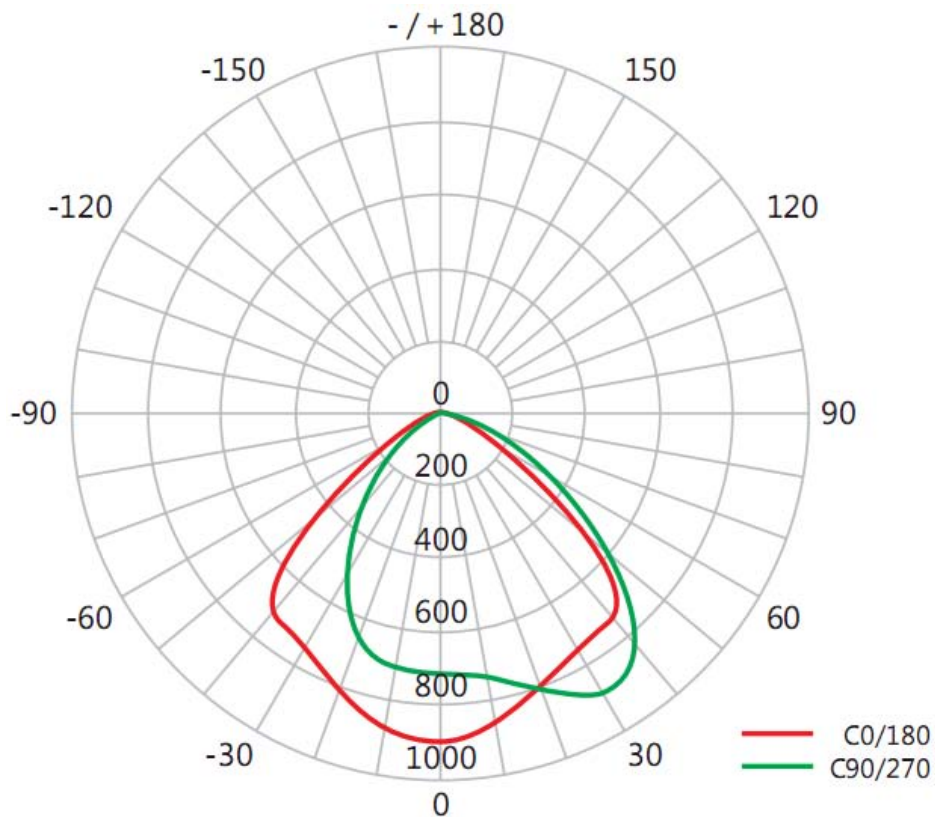


High Power LED Street Light LX-SL570 Series

Product Size



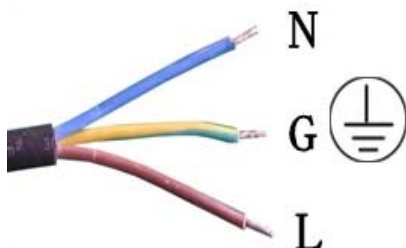
Lighting Distribution Curve



High Power LED Street Light LX-SL570 Series

Installation Instructions

1. When open the package, please check whether the inside is including product, accessory, label, certificate quality. And please assure that the light is perfect without any damage.
2. The wires of LED Street Light is three-core, the standard size of the wire is 3*1mm² or 3*1.5mm² and the outer diameter is $\Phi 7\sim 12\text{mm}$, brown wire is live line, blue wire is null line, yellow & green is ground line.
3. LED Street Light will work when the voltage up to rated voltage, so please be sure the voltage within the requested range, or it will damage the light which can't be repaired.
4. when the electrical continuity is connected, the lead wire should be in electric insulating
5. The way of connect wire: |



The Standard design of LED Street Light:

Requirements	Road width		
	2 Lane	4 Lane	Above 6 Lane
The installation height	<8 m	8-10 m	>12m
Lamp Pole Space	15-25m	30-40m	>40m
LUX request	10-20 lx	20-30 lx	>30lx
Power	<80W	80-160W	>200W
Installation way	Unilateral Arrangement	Unilateral or Bilateral Arrangement	Bilateral Arrangement

Attention



1. In order to make sure the light can work safety and stability, the ground line should be connected the earth.
2. When connecting the wires please turn off the power, and check whether the wires are connected correctly. Never connect the wires in opposite way, or the power should not be turned on.
3. Please keeping the trip bolt being fastening and reliable, in case of the light fall down of looseness.
4. When finishing connect the wires, please use the insulation gummed tape to convolve the wires, confirm the insulation and solve the waterproof problem.

More Details Please Contact With Us

Guarantee for the quality and sales service:

LUX series LED Street Light is a new style green energy saving led lighting, we offer 3 years warranties.

Any question happens when opening the package, please feel free to contact with our sales service department, we will ask our professional engineer to help you solve your question asap.

LUX will not offer any guarantee in the following situation:

- ◆ The damage due to incorrect installation and operation or using the light not in the regulated working ambient.
- ◆ The damage due to abusing or misusing, without well protection or happens in transition.
- ◆ The damage due to customers open the lamp without authored or replacement the LUX confirmed accessories by themselves.
- ◆ The Damage due to personal or nature disaster and other things can't be predicted.

Shenzhen LUX Lighting Co.,Ltd

Address: F Building, ChengDeXuan Industrial Park, LiSongLang Village, GuangMing New District, Shenzhen, China

Web: www.luxled-china.com

Tel: +86-755-33890887 / 33890898 / 33890891 / 33890892

Fax: +86-755-33890893

High Power LED Street Light LX-SL570 Series