



# SPECIFICATION

SHENZHEN LUX LIGHTING CO., LTD

## Product Model: LX-TS-179-20W-AC

(Product description: 179 series 20W LED Flood lights AC 85-265 V, 50-60Hz)



## Product parameters:

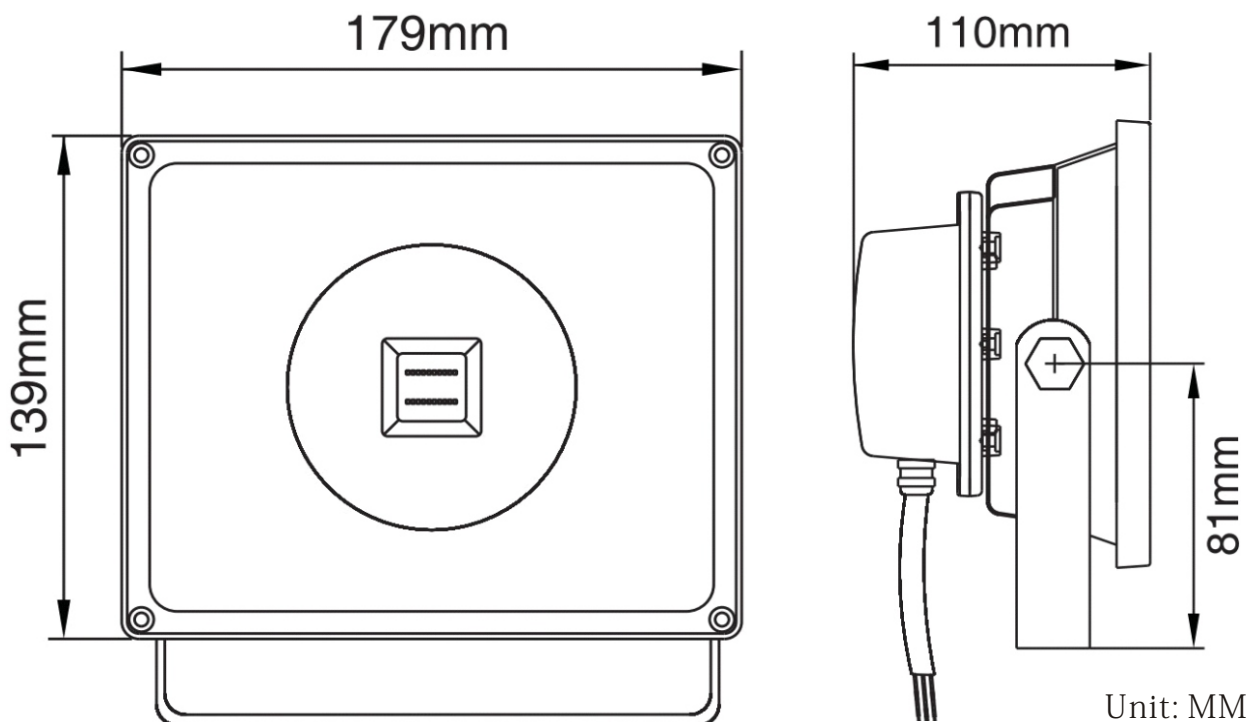
Technical parameters	
●Input voltage(V):	AC85-265V, 50-60Hz
●LED Chip a number:	20 x 1W (Integrated packaging )
●Total Power:	23± 2W
●Diver Efficiency:	> 80%
●Harmonic distortion(THD):	< 10%
●Power Factor(PF):	>0.95
●LED Efficiency:	>90 lm/w
●Initial LED Lumen:	>1800 lm
●LED Work Voltage:	30-34V
●Related color temperature(CCT):	Cool White: 6000-7000K, Pure White: 4500-5500K, Warm White: 3000-4000K
●LUX define the exact range as:	3500±200K、4000±250K、4500±250K、5000±300K、5700±350K、6500±500K
●Color Rendering Index (CRI):	Cool White/Pure WhiteRa≥80; Warm WhiteRa≥70
●(50%) Average beam angle:	54.60°
●Other optional LED colors:	red, yellow, blue, green, amber, RGB color control
●Distribution of the light:	LED + Pure aluminum reflectors secondary light distribution
●The curve of light distribution:	Symmetric / rectangular beam
●Material for light:	Die-casting aluminum alloy of high purity, high thermal conductivity aluminum + aluminum reflector + super-strength tempered glass
●Protected Grade:	IP65
●Working Temperature:	-40℃ ~ 50℃
●Working Humidity:	-10 ~ 90%RH
●Storage Temperature:	-25℃ ~ 65℃
●Light body shell colors:	Conventional silver gray, black, white, optional other colors made to order.
●Lifespan for LED lighting source:	> 50,000 hours
●Product weight (N.W)	1. 2Kgs



# SPECIFICATION

SHENZHEN LUX LIGHTING CO., LTD

## Diagram of Product Size:



## Product introduction

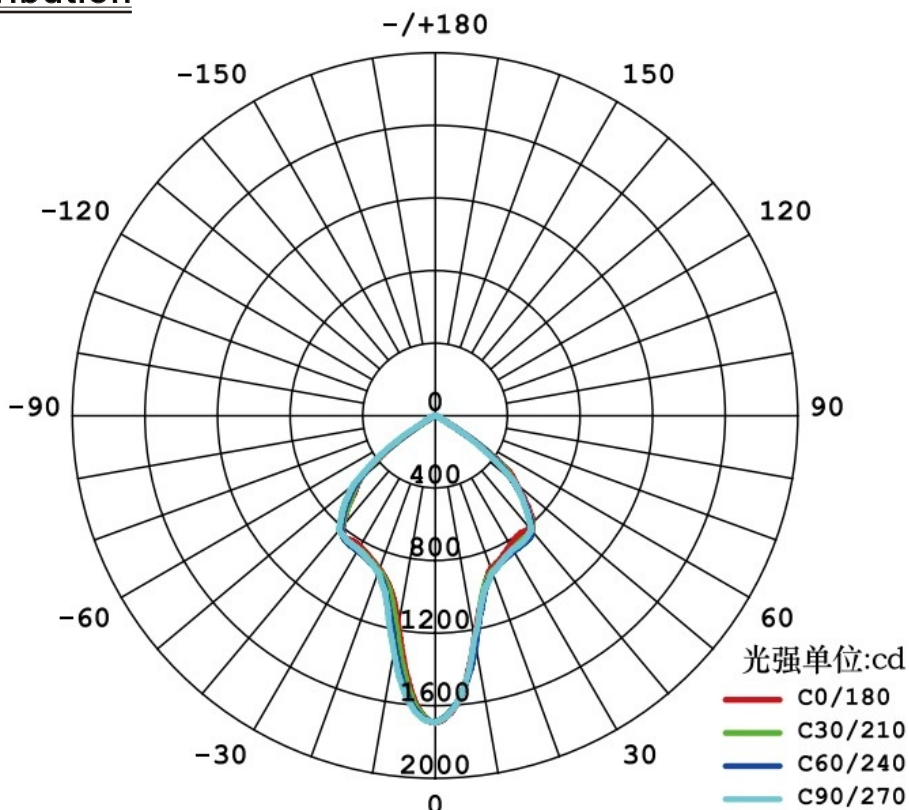
- ❖ Four independent package integrated package of high-brightness LED light source, with long life, energy saving, environmental protection, high light efficiency, no flicker, no ghosting, no ultraviolet light, infrared spectroscopy;
- ❖ LED light source, integrated design of die-cast aluminum casing, curved heat sink and drainage design, thermal structure, which will help the rain fly ash excretion, beautiful appearance, high quality heat;
- ❖ LED light source with high brightness LED large-size chip, single-light-efficient high-end products up to 120lm / W, high-purity aluminum reflector and light source fit closely together, professional light distribution, light and high efficiency;
- ❖ The high thermal conductivity grease to ensure smooth LED cooling channel junction temperature is less than 65 ° C, and effective control of the light failure, overall life expectancy of more than 30,000 hours lamp;
- ❖ Highly reliable intelligent constant current drive power, the thermal design of the professional makes the components working temperature is not greater than 60 ° C, high power efficiency, life expectancy of more than 30,000 hours;
- ❖ Wide voltage range input, to ensure the global market of LED lights versatility; unique protection circuit to improve the overall reliability of the LED lights and anti-jamming capability; precise constant current control technology to ensure high stability of the LED lights ;
- ❖ LED drive power through the **CE ROHS UL GS TUV**, such as certification, in line with safety norms around the world lighting equipment;
- ❖ Selectable DC 12-24V low-voltage drive, compatible with the solar street lighting, solar hybrid street lighting power supply system;
- ❖ Optional light control, power control and other functions of the different time periods to achieve the second energy.



# SPECIFICATION

SHENZHEN LUX LIGHTING CO., LTD

## Curve of light distribution



平均光束角(50%):54.6度

## Main application places

High-speed tunnel, underground passage, railway, underground parking lot, the station, the botanical garden afforestation, all kinds of sports place, square, billboards and other large space, the household inside and outside and construction content lighting.



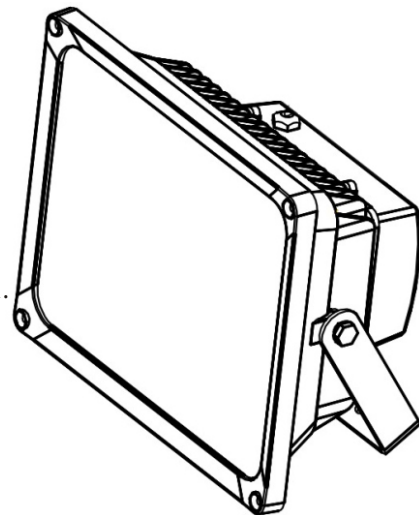


# SPECIFICATION

SHENZHEN LUX LIGHTING CO., LTD

## Installation, electrical wiring instructions

1. A miner's start packing cases, check the box products, fittings, labels and certificate is all ready, and whether does the product have damaged or scratch.
2. Mining lamp input for three core sheath line standard for  $3 * 0.75 \text{ mm}^2$  or  $3 * 1 \text{ mm}^2$ ,  $\Phi 7 \sim 10 \text{ mm}$  diameter, which brown connected L the blue line, meet N zero line, yellow green/spends line G grounded.
3. LED lamp rated voltage applied to industrial normal work, work process should ensure that rated voltage in scope, beyond the rated voltage was causing irreparable damage.
4. After the electrical connection wire, the insulation joint need to deal with.



### NOTICE

- Ensure safe and stable work lamps, ground must be reliable grounding!
- When wiring shut off the power and wiring to check whether the correct wiring, banned reverse connect, otherwise can't open power.
- Tighten the screws must tighten firm, prevent loose lamps off!
- Wiring input voltage AC85~265 V, otherwise, it will cause irreparable damage!
- Link up with one end of the thread will twist into the electrical box of installation threaded hole, and confirm with the M4 screw hook after tighten the screw will prevent slippery a channel screws, in case a channel slip.
- The product protection class IP65, do not soak in water use.



## Quality assurance, after-sales service

LUX series LED lamp is mining company according to the national standard GB7000.10-1999 "fixed general lamps safety requirements of the manufacturing a new type of green environmental protection LED semiconductor lighting lamps and lanterns, the product quality assurance for two years, for free maintenance products, generally don't need maintenance; If in the product unpacking, installation and use in the process to have any question, please contact our customer the after sale service, we will promptly Send professional engineering and technical personnel guidance and remove the faults, resume normal work.

The best is not liable for LUX lang g guarantee responsibility:

- ◆ for mistakes or installation, operation in the product by the work environment conditions caused by use of the fault or damage;
- ◆ for accidents, abuse, misuse damage; Because the customer or transportation caused by the improper fault or damage;
- ◆ for dismantling or replace the user without authorization LUX lang g recognized by the best parts fault or damage;
- ◆ due to human or natural disasters caused by fault or damage.

## Contact us

Add: F Building, ChenDeXuan Industrial Park, LiSongLang Village, GuangMing New District, Shenzhen, China  
Tel: +86-755-33890886 +86-755-33890891 33890892  
Fax: +86-755-33890893 Postcode: 518107  
E-mail: sale@luxledchina.com